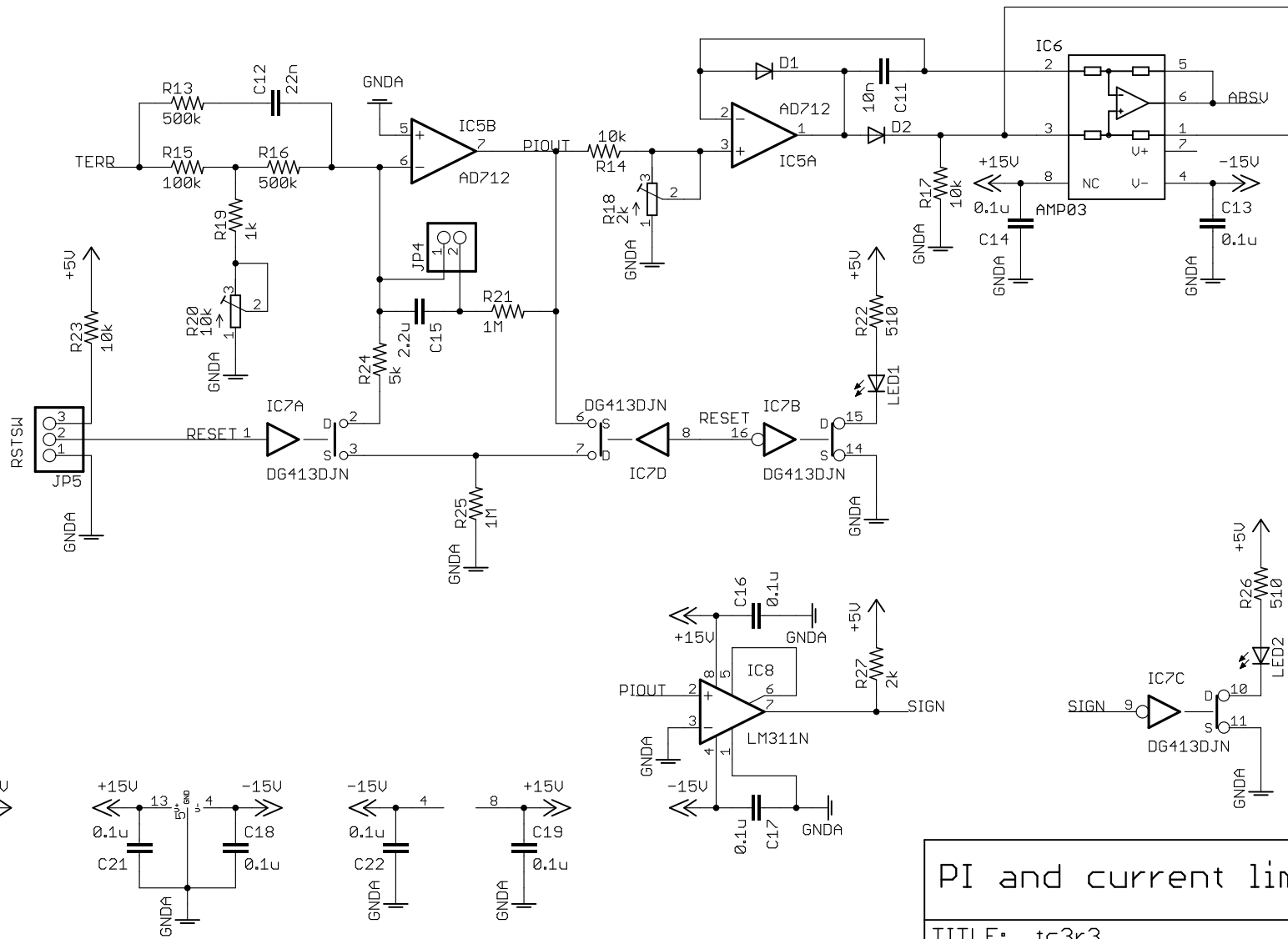
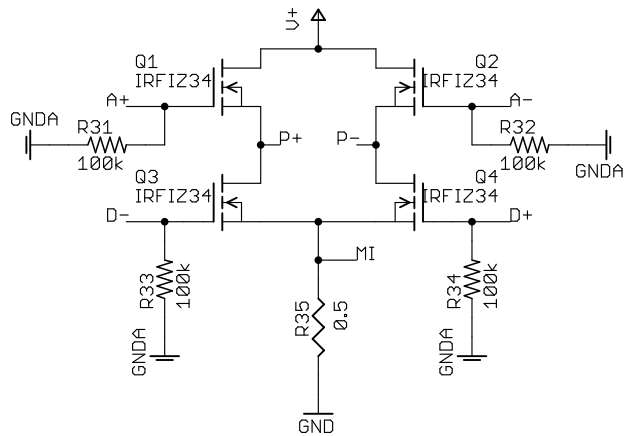
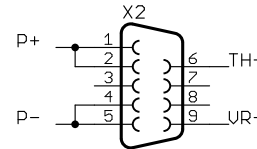
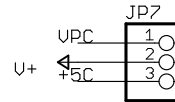
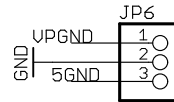
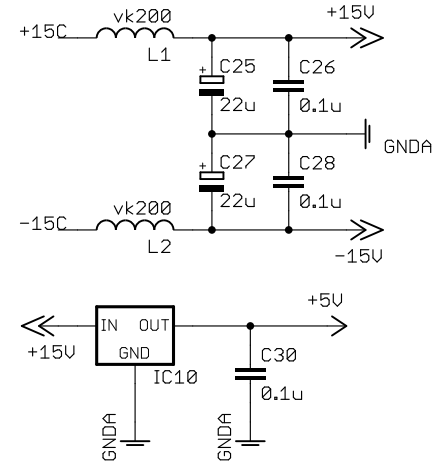
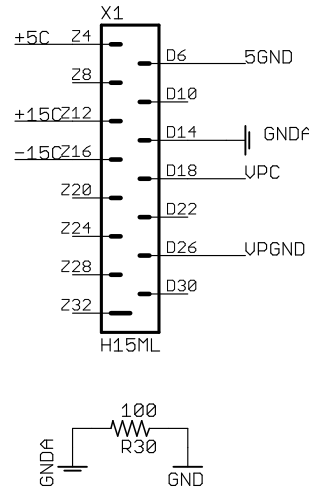
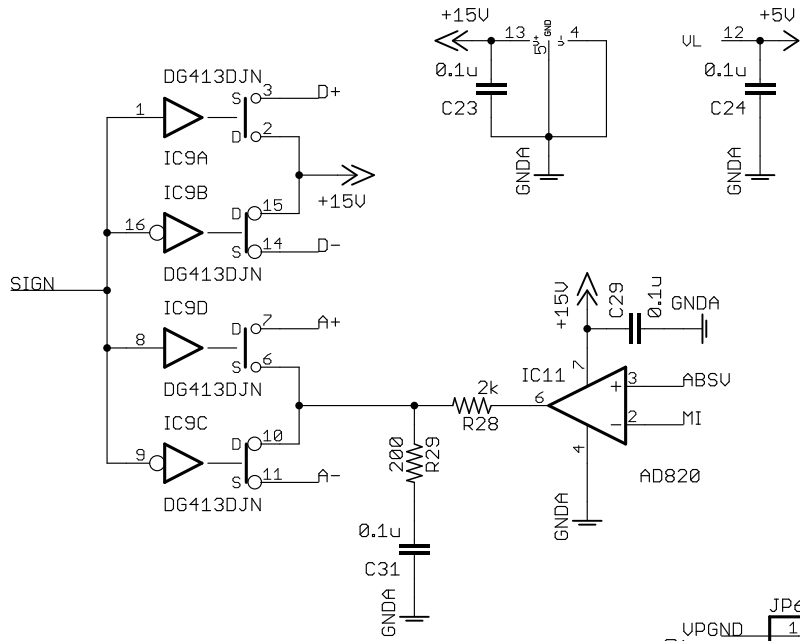


Vref, bridge & window comp.	
TITLE: tc3r3	
Document Number:	REV:
Date: 11/11/2009 14:41:46	Sheet: 1/3



PI and current limit	
TITLE: tc3r3	
Document Number:	REV:
Date: 11/11/2009 14:41:46	Sheet: 2/3



H Bridge

TITLE: tc3r3	
Document Number:	REV:
Date: 11/18/2009 08:32:56	Sheet: 3/3